

# SUB75 LIGHT

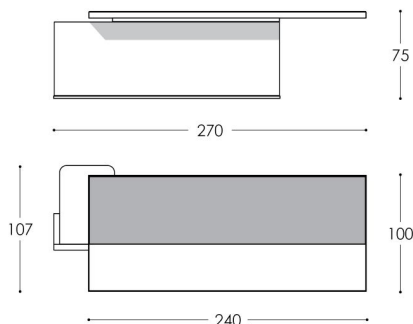


270x107 h 75

## S75.L

m<sup>3</sup> Kg

Price



Light and reinforced 50mm thickness desktop table, thanks to its metal core structure.  
Working desktop area upholstered in Tech Leather.  
50mm structural frontboard finished at the bottom with a stainless steel plate.  
Integrated table top cable management.  
(To be indicated, table wing on right or left, with respect to working desktop position)

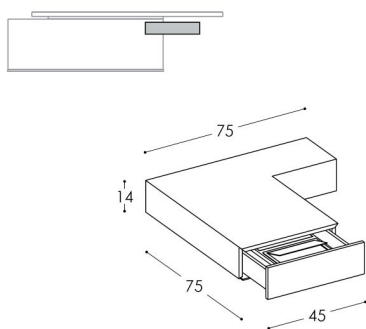
**FINISHES:**  
Top in wood finish.  
Desktop upholstered in Tech Leather.  
Frontboard in micro-texturized lacquer, gloss lacquer or wood finishes.  
Table EQUIPPED with 1 electric assemblies formed by (3 Schukos + 1RJ45).  
INTERNAL WIRING, NOT INCLUDED

75x75 h 14

## B-S75.L

0.20 m<sup>3</sup> Kg

Price



Extra-light tray.  
Unit in black matt lacquer finish.  
Front and front drawer in polished stainless steel.  
Inside drawer surfaces finished in silver grey lacquer. Equipped with small upholstered pencil tray, cable management solution KONEX.1 (2-socket Schuko + 2 RJ45 Cat.6)

(To be indicated, on right or left, with respect to working desktop position)

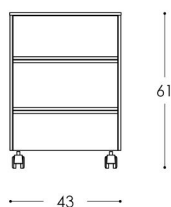
43x60 h 61

## KBS-3C

0.30 m<sup>3</sup> Kg

Price

Price (with lock)



Three-drawer unit with castors.  
No handles or pulls.  
Finishes on fronts, back and sides can be chosen and combined.

**FINISHES:**  
Unit sides, in wood or micro-texturized lacquer finish.  
Fronts and back in micro-texturized lacquer finish.