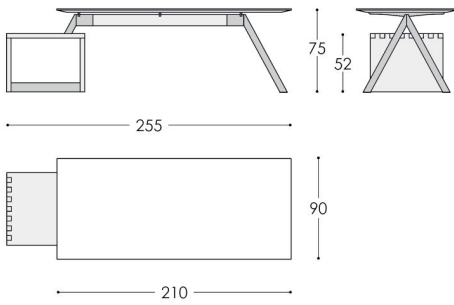


**MIA**

255x90 h 75

**MIA.OPEN-CUBE**

m<sup>3</sup> Kg



Rectangular table top supported on inclined metal legs and open cube with wooden crossbeam.  
Open cube made in maple wood combined with finger joint system.  
Removable tray with tech leather upholstered interior and color stainless steel front.

Price (Wooden Cube)

Price (Lacquer Cube)

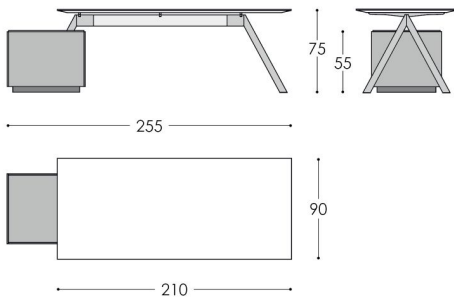
**FINISHES:**

Top in wood or micro-texturized lacquer.  
Crossbeam in wood.  
Metal legs in micro-texturized black lacquer.  
Open Cube, in solid maple wood.

255x90 h 75

**MIA.1C-CUBE**

m<sup>3</sup> Kg



Rectangular table top supported on inclined metal legs and closed cube with wooden crossbeam.  
Closed cube equipped with one large drawer/ container. And back door for cable managing and leading cables through this cube.  
Possibility of placing a high density foam pad on top of the cube, for occasional seating. (NOT INCLUDED)

Price

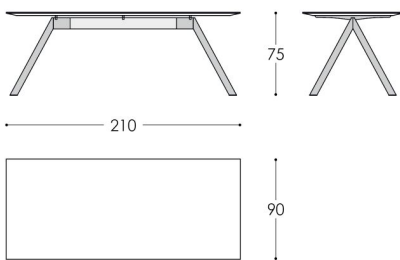
**FINISHES:**

Top in wood or micro-texturized lacquer.  
Crossbeam in wood.  
Metal legs in micro-texturized black lacquer.  
Closed Cube, in micro-texturized lacquer.

210x90 h 75

**MIA.210**

m<sup>3</sup> Kg



Rectangular table top supported on inclined metal legs and wooden crossbeam.

Price

**FINISHES:**

Top in wood or micro-texturized lacquer finish.  
Crossbeam in wood.  
Metal legs in micro-texturized lacquer finish.