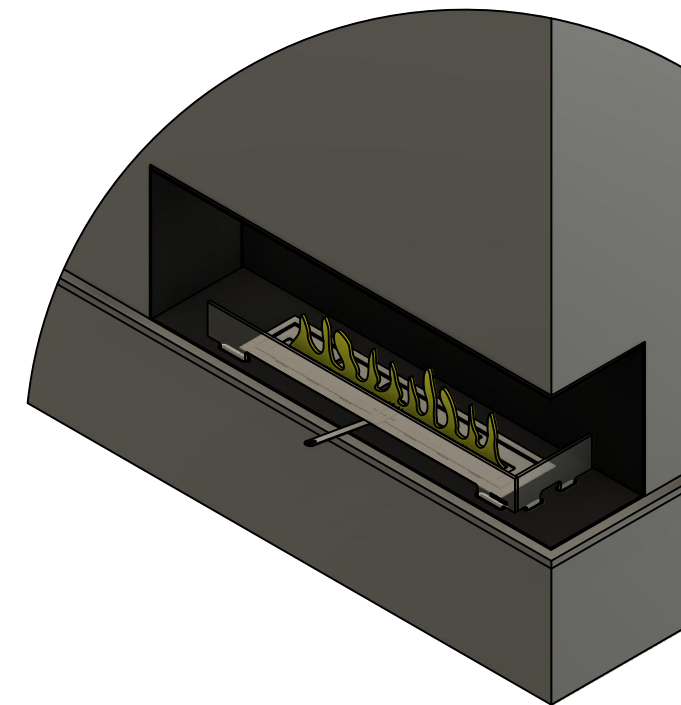
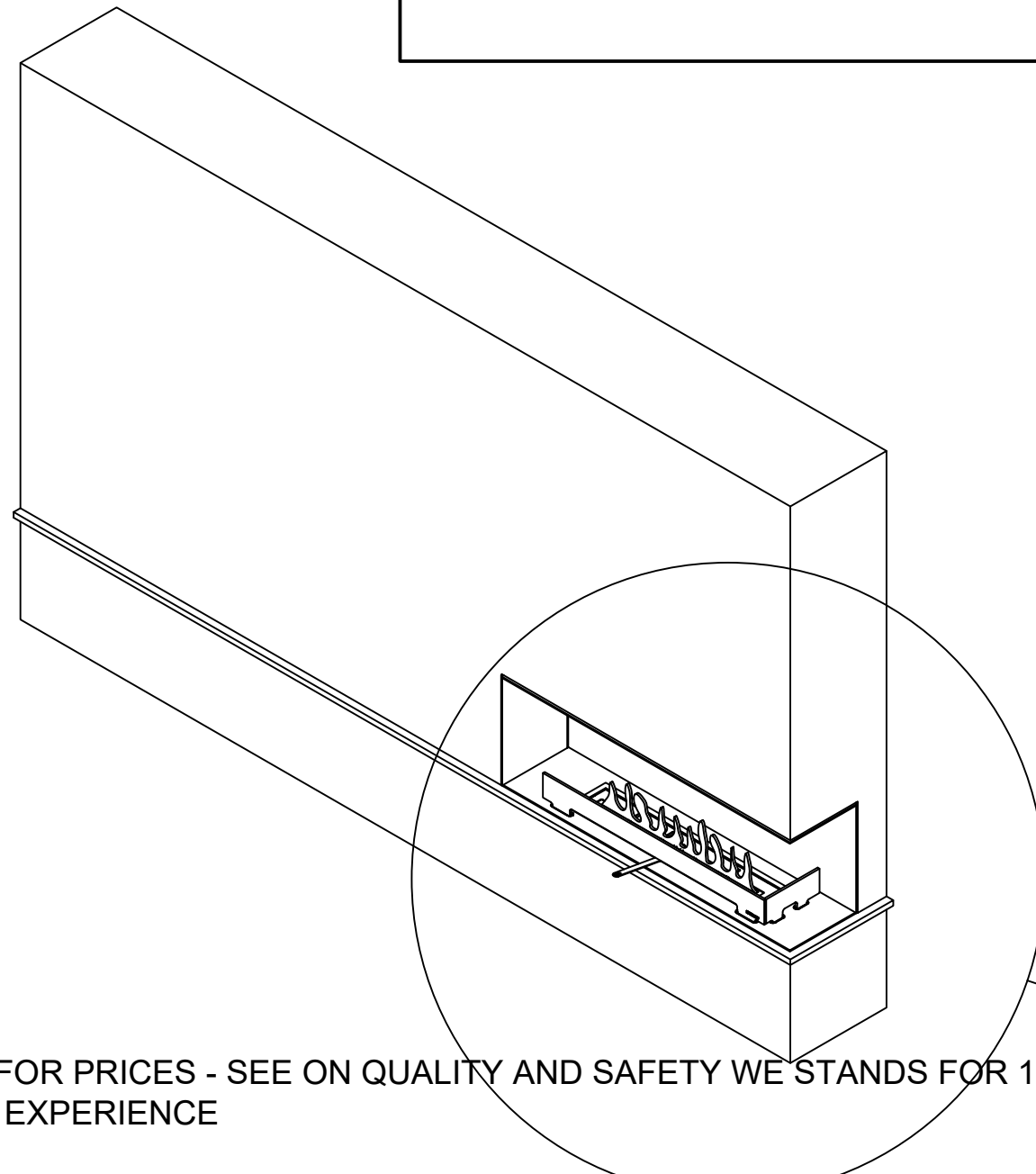
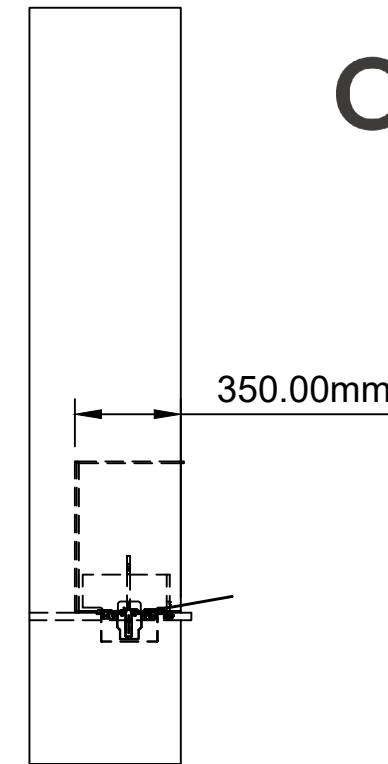
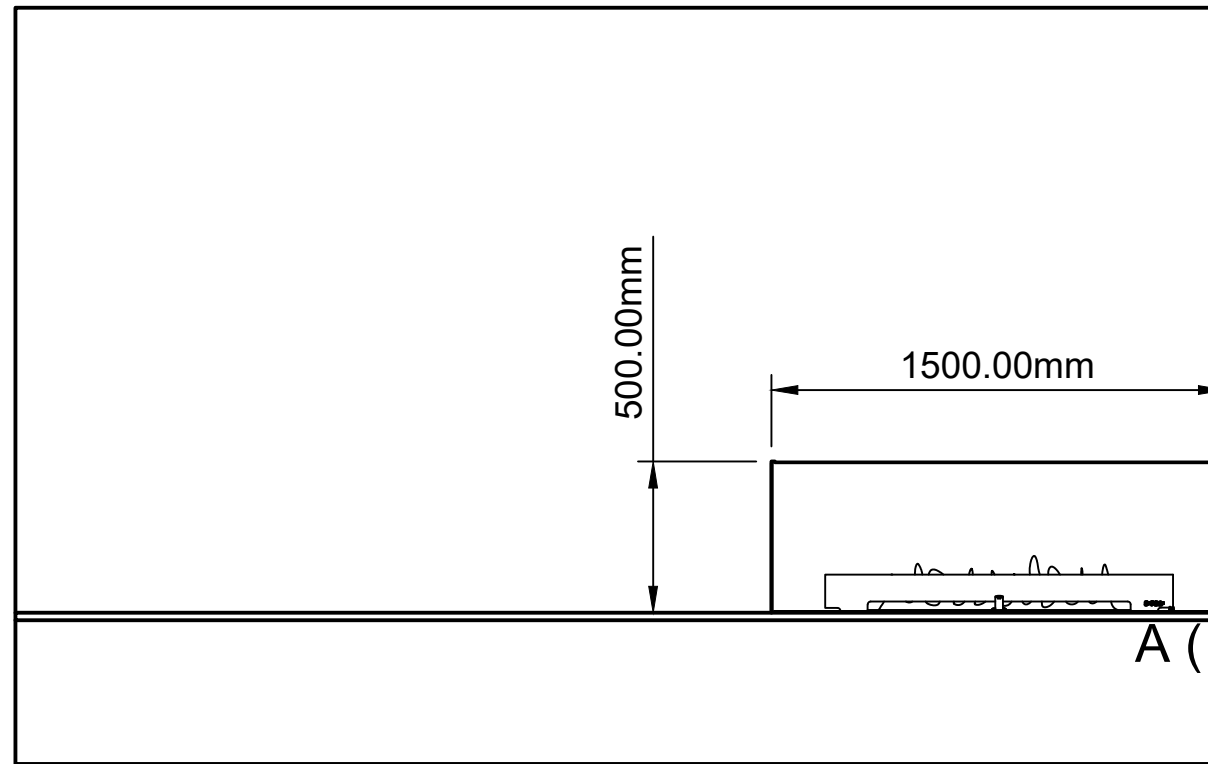


100% ORIGINAL
by **BIOPASJA**



The drawing is subject to copyright Biopasja Sp. z o.o. Industrial design protection own by Biopasja Sp. z o.o RCD002681213 & Concealed latches NEOPRO - PATENT no. P.427092

LOOKING FOR PRICES - SEE ON QUALITY AND SAFETY WE STANDS FOR 10 YEARS OF EXPERIENCE

				Project No
				Drawing No
Scale	Format	Drawn by	Drawn date	BIOPASJA
Rev.	Approved by	Rev. by	Rev. Date	
This drawing is our exclusive property and may not without our consent be utilized, reproduced, transmitted or communicated to a third party.				